



# MONKEY

## Instruction for Use



### **IMPORTANT INFORMATION**

**These Instructions must be kept with  
the product at all times**



**Monkey is a Prescribed Medical Device**  
**To be used only with the guidance of Therapist or Prescribing Practitioner**  
**Please Read these instructions carefully before use**



This Instruction for Use booklet must be kept with the product at all times.  
If the IFU booklet is damaged or lost, please call Sales Support on 0114 285  
3376 for a free replacement or download from [www.jenx.com](http://www.jenx.com)

**FOR FREE ADVICE ON THE USE OF THIS PRODUCT, PLEASE CONTACT JENX LTD.**  
**Jenx Limited, Wardsend Road, Sheffield, S6 1RQ. Tel: +44 (0)114 285 3376**  
**Fax: +44 (0)114 285 3528 [info@jenx.com](mailto:info@jenx.com) [www.jenx.com](http://www.jenx.com)**

# Key for Users

Use this key to determine which sections of these Instructions you need to refer to



Professional / Technical Users



Re-Issue / Stores



Carer / Home User

## Contents

Important Safeguards	3
Product Labels	4
Care and Cleaning Instructions	5
Maintenance	6
Product Induction and Hand Over	7
Specifications	8
Warranty	9
Main Features	10
Main Features & Adjustments	12
Thoracic and Hip Straps	13
Safety Straps	14
Chest Pad Height	15
Lower Support Pad Height	16
Upper Side Pads	17
Lower Side Pads	18
Angle Adjustment	19
Tray Angle	20
Sandal Adjustment	21
Fitting Tray Infill	22
Optional Accessories - Sandal Raising Blocks	23
Optional Accessories - Activity Frame	24
Optional Accessories - Grab Bar	25
Inspecting and Re-Issuing	26
Product Inspection Log	28

## IMPORTANT SAFEGUARDS



**Ensure your Therapist has signed the inspection log as “Set Up” before using the product. If this product has not been set up by your Therapist DO NOT USE THE PRODUCT**



**NEVER LEAVE CLIENTS UNATTENDED WHILST THEY ARE USING THIS PRODUCT**



Always read all instructions before use  
Failure to follow instructions, especially with regard to moving parts may pose a risk to the user



Do not use this product if you suspect it is faulty or broken  
Contact Jenx Limited immediately for advice. +44 (0)114 2853376



This product contains small parts which could present a choking hazard to small children



All Jenx Limited products are tested to current fire regulations. Always keep products away from naked flames, cigarettes and sources of heat e.g. Heaters etc.



Jenx supplies tools to adjust certain products. The tools are supplied for adjustments to be made by the therapist only. Store in a safe place. Keep away from children  
Do not make adjustments, other than when instructed to do so



Assemble product fully before use. Please contact Jenx Limited if you have any problems at this stage



Look after your product well, clean regularly and do not use abrasive cleaners



All belts and harnesses should be used at all times. For therapy purposes it may be necessary to deviate from this rule and any deviation should be fully documented as part of a Risk Assessment or Therapy Programme and all relevant staff and carers appropriately trained. Secure client with straps before adjusting product. Ensure finger's width between safety strap and client to prevent over tightening or client moving to inappropriate position. Adjust straps for each client and changes of clothing. Minimum Velcro overlap: 3 inches (7.5cm) on all straps. If strap is not long enough, DO NOT USE PRODUCT



This product conforms to the European Medical Devices Directive. It has not been tested in conjunction with other manufacturers products. Do not add any accessories other than Jenx Limited accessories to this product. If in doubt, contact us for advice +44 (0)114 2853376



When not in use store this product in a dry place that is not subject to extreme temperatures  
Places not to store this product include garages, attics or garden sheds



Any changes or alterations carried out by person other than a Jenx authorised service person will invalidate the guarantee and Jenx can accept no liability for any injury or damage so caused



All Jenx products are Medical Devices and are sold on the understanding that they will be prescribed, issued and maintained in line with current national device management guidelines

**FOR ADVICE ON THE USE OF THIS PRODUCT, PLEASE CONTACT JENX LTD.  
TEL: +44 (0)114 2853376**

Ver 002 08

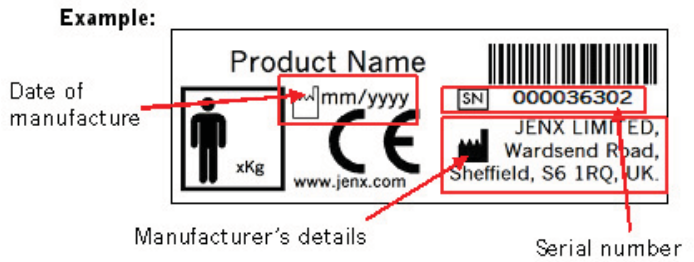
# Product Labels and Specifications



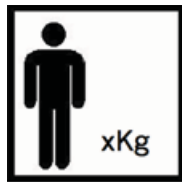
## LABELS

### CE Label:

The **serial number** is written on the CE label (see picture) which is located on the underside of the product. Please quote this number on all correspondence.



Conforms to CE Marking Regulations  
**Medical Devices Directive (MDD) 93/42 EEC**



Maximum client weight (varies by product and size)

### Safety Label:

Each Jenx product has a pictorial safety label attached. Refer to explanation below.



Attention. Please read Instructions

Please read Instructions

For use indoors only

Ensure all straps are used

Do not leave child unattended

DO NOT USE as a mobility device  
Never use product on rough ground or uneven surface

**FOR ADVICE ON THE USE OF THIS PRODUCT, PLEASE CONTACT JENX LTD.  
TEL: +44 (0)114 2853376**

Ver 002 08

# CARE AND CLEANING INSTRUCTIONS



## Fabrics and Vinyl

### Black Bee Fabric (Rock)

- Routine soap & warm water sponging is effective for ordinary soiling. We recommend stains are removed as quickly as possible and all soap residues must be removed
- Fresh stains both water and oil based are easily removed using most water based household spray cleaning agents
- A half cup of household bleach for 5 litres of water can also be used as a useful disinfectant
- The best cleaning method is the “wipe and dry” technique. Full immersion is not recommended
- DO NOT DRY CLEAN
- Always ensure that the product is dry before use
- Excellent stain removal has been observed for:  
Blood, urine, grease, ink, coffee, grape juice, iodine, betadine, ketchup, mustard, salad dressing, suntan lotion
- Urea resistance: BS 3424, Part 19. No deterioration after 24 hour soak
- ASTM E 2149-01 Will not support microbial growth including:-  
Aspergillus Niger, E-Coli, Altinata, Salmonella, Penicillium, Staphylococcus Aureus, Cladosporium Herbarism, M. R. S. A
- Breathable: Moisture vapour permeable

### Wooden Products and Parts

- For deep cleaning a low pressure steam cleaner can be used
- Do not use organic solvents to clean Jenx Products
- Soap and water or antibacterial spray can be used
- Check for breaks or splintering of the wood before re-issuing
- Daily cleaning: Spray polish or wax polish can be used

### Metal Frames and Coated Parts

- For deep cleaning a low pressure steam cleaner can be used
- Do not use organic solvents to clean Jenx products
- Soap and water or antibacterial spray can be used
- Daily cleaning: Wipe framework down with a damp cloth as necessary



**Never leave your client unattended while using this product**



**All belts and harnesses should be used at all times. For therapy purposes it may be necessary to deviate from this rule and any deviation should be fully documented as part of a Risk Assessment or Therapy Programme and all relevant staff and carers appropriately trained. Secure client with straps before adjusting product. Ensure finger's width between safety strap and client to prevent over tightening or client moving to inappropriate position. Adjust straps for each client and changes of clothing. Minimum Velcro overlap: 3 inches (7.5cm) on all straps. If strap is not long enough, DO NOT USE PRODUCT**



**Monkey is a Prescribed Medical Device  
To be used only with the guidance of a Therapist or Prescribing Practitioner  
Please read these instructions carefully before use**

**FOR ADVICE ON THE USE OF THIS PRODUCT, PLEASE CONTACT JENX LTD.  
TEL: +44 (0)114 2853376**

Ver 002 08

## MAINTENANCE



Daily checks of the equipment should be carried out by carers. These checks are not technical but a basic understanding of the product is needed. Multiple daily checks may be needed in schools or therapy rooms where the products are used by multiple users.

### Daily Checks

- Replace any lost or worn washers or bolts
- Check tray for damage. Ensure that the tray edging is secure and that the tray is clean and free of any rough or sharp corners
- Check all upholstery for any signs of wear and tear
- Brush Velcro® to remove fluff
- Check wooden parts for splitting or splintering
- Check straps for fraying and missing or broken buckles
- Clean any stains or spillages
- Contact Jenx Limited if any accessories not manufactured by Jenx Limited have been attached to the product. Unauthorised accessories may affect the safety of this product and invalidate your warranty

We recommend that on a monthly basis a competent person who is familiar with this piece of equipment and who has been trained in its use should carry out a more detailed check.

### Monthly Checks

- Check all nuts and bolts are secured and that none is missing
- Check all mechanical movements operate fully
- Check the structure of the product for signs of fatigue or splintering
- Castors: Lift base and check each wheel to ensure it is not loose or worn. Remove any grease or dirt that has built up on the wheels, check that the brake stops the wheels rotating (where applicable)
- Check gas springs for creep by placing a weight on the chair at the highest setting, (simulating the child) and leave for 1 hour. If the product has reduced significantly in height contact our Customer Service Department for advice



Please ensure the name of the therapist who recommended the equipment is noted on the check/ inspection log, along with the competent person who has been trained in the use of the equipment. Please also ensure that this is updated for changes in staff. Please note any “Set up” procedures should always be recorded.

**FOR ADVICE ON THE USE OF THIS PRODUCT, PLEASE CONTACT JENX LTD.  
TEL: +44 (0)114 2853376**

Ver 002 08

# PRODUCT INDUCTION and HAND OVER



This product is a Prescribed Medical Device and as such it is important that all users understand the use and adjustments this product offers. This booklet shows the range of adjustments and gives guidelines for each type of user to follow.

## Professional/Technical users

This section refers to the Therapist and Prescribing Practitioner

Ensure you read all sections in this booklet and are fully familiar with all the adjustments. As well as the selection, prescription and set up of the product to suit the client's needs, the technical user has the responsibility for the induction of the Carer, ensuring that the Carer:

- Has an understanding of the safety aspects of the product
- Is familiar with the product. What to use and what not to use
- Knows which accessories have been added and what daily adjustments to make
- Has an understanding of the care and cleaning procedures

A formal handover procedure should be adopted for this product. Use the recording sheet at the rear of this booklet to record set ups and changes to the product. Jenx Limited offers Product Courses for Technical Users. Please contact us for more information.

## Carer *(This section refers to the daily carer)*

This product is a Prescribed Medical Device. It should only be used with the guidance of a prescribing professional. Do not make any adjustments other than those you have been instructed to make.

The Carer section of this guide gives the adjustments needed to aid daily use only. Any other adjustments are only to be performed by the Therapist.

## Re-Issue *(This section refers to Stores Personnel)*

Stores personnel must follow the checks and maintenance guide before re-issue. The MHRA releases regular bulletins regarding product updates and issues. These should be regularly monitored.

- Records should be kept on all products serviced or re-issued. Repairs or replaced parts should be traceable
- The Jenx serial number should always stay with the product and never be removed
- Instructions should always be issued with the product. Copies are available from Jenx Limited or can be downloaded from [www.jenx.com](http://www.jenx.com)
- Always inform the technical user before a product is issued to a home for set-up purposes
- If the product is to be redelivered, ensure adequate and secure packaging is used
- If in any doubt as to the safety of this product do not issue it, Contact Jenx Limited for advice
- Products must only be issued fully assembled, clean and in good working order. Instruction for Use must be with the product

Jenx Limited offer Stores Courses for stores personnel. The course gives guidance for:

- Maintenance
- Inspection of the products
- Regulatory information
- Cleaning

Please contact us for more information.

**FOR ADVICE ON THE USE OF THIS PRODUCT, PLEASE CONTACT JENX LTD.  
TEL: +44 (0)114 2853376**

Ver 002 08

# SPECIFICATIONS



## Size Guide

Max weight of child	25kg
Overall min height of Monkey	550 mm
Floor space required	830 mm x 570 mm
Product weight	18.2 kg

Descriptions	Min	Max
Chest and hip width	140 mm	260 mm
Sandal to axilla (armpit)	510 mm	750 mm
Angle range	20°	90°
Tray work area	480 mm x 350 mm	



Never leave your client unattended whilst using this product



All belts and harnesses should be used at all times. For therapy purposes it may be necessary to deviate from this rule and any deviation should be fully documented as part of a Risk Assessment or Therapy Programme and all relevant staff and carers appropriately trained. Secure client with straps before adjusting product. Ensure finger's width between safety strap and client to prevent over tightening or client moving to inappropriate position. Adjust straps for each client and changes of clothing. Minimum Velcro overlap: 3 inches (7.5cm) on all straps. If strap is not long enough, DO NOT USE PRODUCT



Monkey is a Prescribed Medical Device  
To be used only with the guidance of a Therapist or Prescribing Practitioner  
Please read these instructions carefully before use

FOR ADVICE ON THE USE OF THIS PRODUCT, PLEASE CONTACT JENX LTD.  
TEL: +44 (0)114 2853376

Ver 002 08



## WARRANTY

Jenx Ltd. warrants that the goods manufactured by Jenx Ltd. will be free from defects in material and workmanship for a period of 24 months\* from the date of purchase.

Jenx Ltd. has sole obligation under this warranty to repair or replace, at our discretion for any part of goods proving defective within the terms of this period. The buyer must provide immediate notice of the claimed defect.

Jenx Ltd. reserves the right to inspect the part or goods at the buyer's premises.

In the event of an exchange or return, where a certain model under this warranty is discontinued, Jenx Ltd. Reserves the right to replace with a new model of a similar quality and price.

The warranty does not cover the product for repair or replacement due to failure or damage through; abuse, neglect, accident, improper repair, exposure to corrosive or abrasive material, weather, failure to follow care and cleaning instructions, alterations or modifications carried out by any person other than a Jenx Ltd. authorised person.

\*For purchases placed on or after the 1st January 2006. Previous purchases will have 12 month warranty from date of purchase



# MONKEY

## Instruction for Use



### **IMPORTANT INFORMATION**

**These Instructions must be kept with  
the product at all times**



**Monkey is a Prescribed Medical Device  
To be used only with the guidance of Therapist or Prescribing Practitioner  
Please Read these instructions carefully before use**



This Instruction for Use booklet must be kept with the product at all times.  
If the IFU booklet is damaged or lost, please call Sales Support on 0114 285  
3376 for a free replacement or download from [www.jenx.com](http://www.jenx.com)

**FOR FREE ADVICE ON THE USE OF THIS PRODUCT, PLEASE CONTACT JENX LTD.  
Jenx Limited, Wardsend Road, Sheffield, S6 1RQ. Tel: +44 (0)114 285 3376  
Fax: +44 (0)114 285 3528 [info@jenx.com](mailto:info@jenx.com) [www.jenx.com](http://www.jenx.com)**

## Main Features



Monkey is a versatile and user-friendly prone stander that offers standing from upright to 20° from the horizontal, plus a wide range of other beneficial features.

Gas spring controlled angle adjustment allows the carer to easily alter the stander to the exact angle required, whilst the six side pads can be adjusted specifically to support the needs of your child.



**Never leave your client unattended whilst using this product**



**All belts and harnesses should be used at all times. For therapy purposes it may be necessary to deviate from this rule and any deviation should be fully documented as part of a Risk Assessment or Therapy Programme and all relevant staff and carers appropriately trained. Secure client with straps before adjusting product. Ensure finger's width between safety strap and client to prevent over tightening or client moving to inappropriate position. Adjust straps for each client and changes of clothing. Minimum Velcro overlap: 3 inches (7.5cm) on all straps. If strap is not long enough, DO NOT USE PRODUCT**



**Monkey is a Prescribed Medical Device  
To be used only with the guidance of a Therapist or Prescribing Practitioner  
Please read these instructions carefully before use**

**FOR ADVICE ON THE USE OF THIS PRODUCT, PLEASE CONTACT JENX LTD.  
TEL: +44 (0)114 2853376**

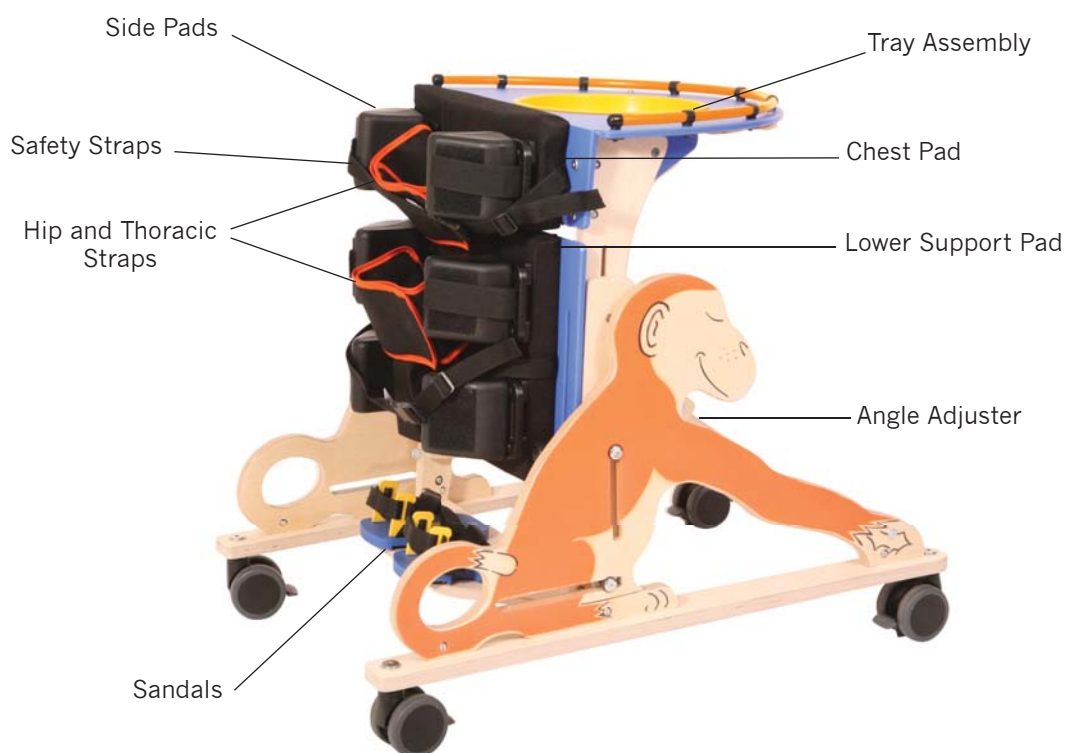
Ver 002 08

# Main Features & Adjustments



## Standard Monkey

Safety Straps  
Hip and Thoracic Straps  
Angle Adjuster  
Side Pads  
Tray Assembly  
Chest Pad  
Lower Support Pad  
Sandals



**Never leave your client unattended whilst using this product**



**All belts and harnesses should be used at all times. For therapy purposes it may be necessary to deviate from this rule and any deviation should be fully documented as part of a Risk Assessment or Therapy Programme and all relevant staff and carers appropriately trained. Secure client with straps before adjusting product. Ensure finger's width between safety strap and client to prevent over tightening or client moving to inappropriate position. Adjust straps for each client and changes of clothing. Minimum Velcro overlap: 3 inches (7.5cm) on all straps. If strap is not long enough, DO NOT USE PRODUCT**

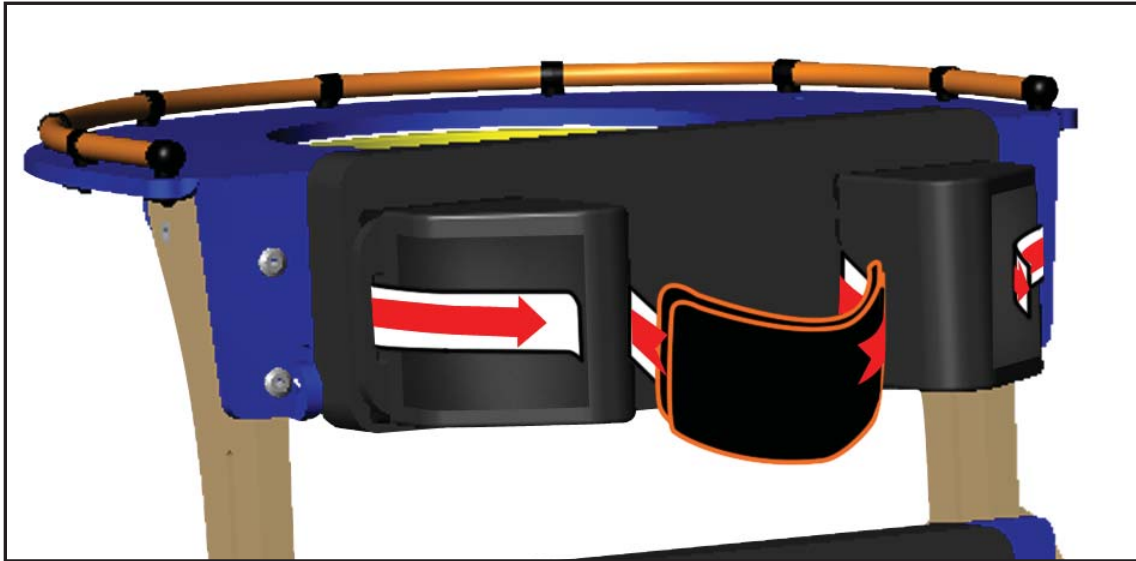


**Monkey is a Prescribed Medical Device  
To be used only with the guidance of a Therapist or Prescribing Practitioner  
Please read these instructions carefully before use**

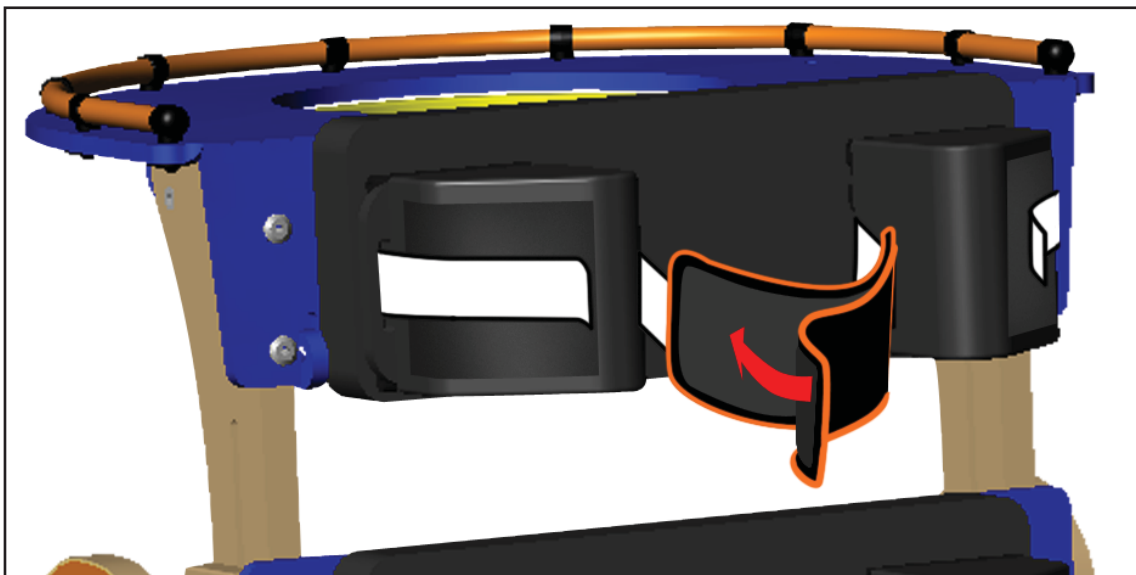
**FOR ADVICE ON THE USE OF THIS PRODUCT, PLEASE CONTACT JENX LTD.  
TEL: +44 (0)114 2853376**

Ver 002 08

## Thoracic and Hip Straps



To attach the Thoracic and Hip straps, pass the narrow portion of the strap under the side pads and attach to the Velcro receptive material at the back of the pad.



Use the Velcro in the middle of the strap to secure your child and use the fine adjustment of the thinner portion of the strap to set the final length.



**Never leave your client unattended whilst using this product**



**All belts and harnesses should be used at all times. For therapy purposes it may be necessary to deviate from this rule and any deviation should be fully documented as part of a Risk Assessment or Therapy Programme and all relevant staff and carers appropriately trained. Secure client with straps before adjusting product. Ensure finger's width between safety strap and client to prevent over tightening or client moving to inappropriate position. Adjust straps for each client and changes of clothing. Minimum Velcro overlap: 3 inches (7.5cm) on all straps. If strap is not long enough, DO NOT USE PRODUCT**

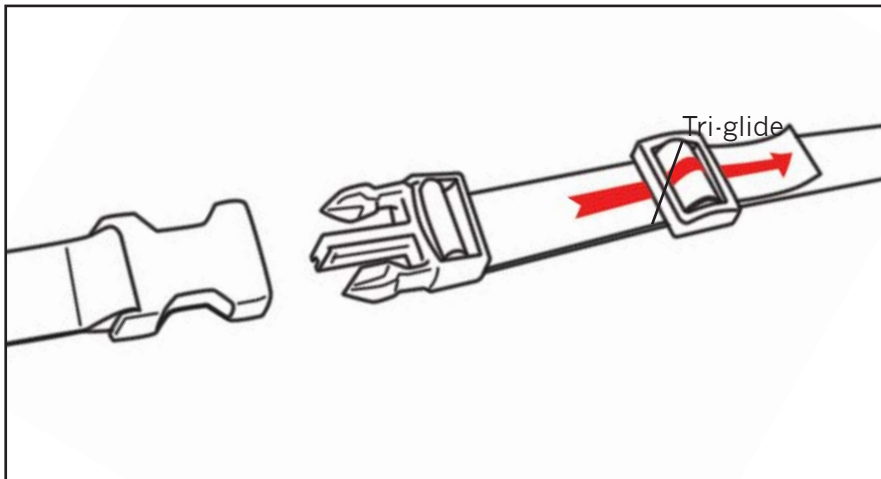


**Monkey is a Prescribed Medical Device  
To be used only with the guidance of a Therapist or Prescribing Practitioner  
Please read these instructions carefully before use**

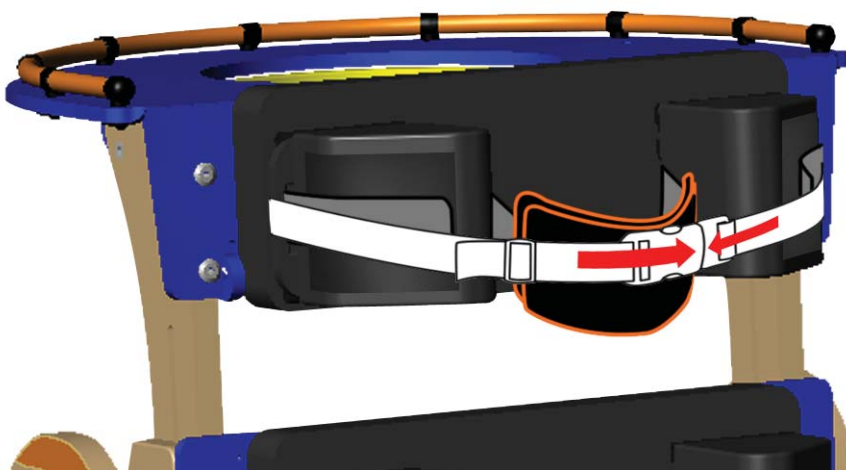
**FOR ADVICE ON THE USE OF THIS PRODUCT, PLEASE CONTACT JENX LTD.  
TEL: +44 (0)114 2853376**

Ver 002 08

# Safety Strap



To adjust the length of the safety strap, thread the strap through the buckle and tri-glide until desired length is achieved. Ensure that the safety strap end is secured by the tri-glide at all times.



Always use the safety straps when the stander is in use. The safety strap should be secured on the outside of the Hip and Thoracic straps and over the sidepads, as above.



**Never leave your client unattended whilst using this product**



**All belts and harnesses should be used at all times. For therapy purposes it may be necessary to deviate from this rule and any deviation should be fully documented as part of a Risk Assessment or Therapy Programme and all relevant staff and carers appropriately trained. Secure client with straps before adjusting product. Ensure finger's width between safety strap and client to prevent over tightening or client moving to inappropriate position. Adjust straps for each client and changes of clothing. Minimum Velcro overlap: 3 inches (7.5cm) on all straps. If strap is not long enough, DO NOT USE PRODUCT**

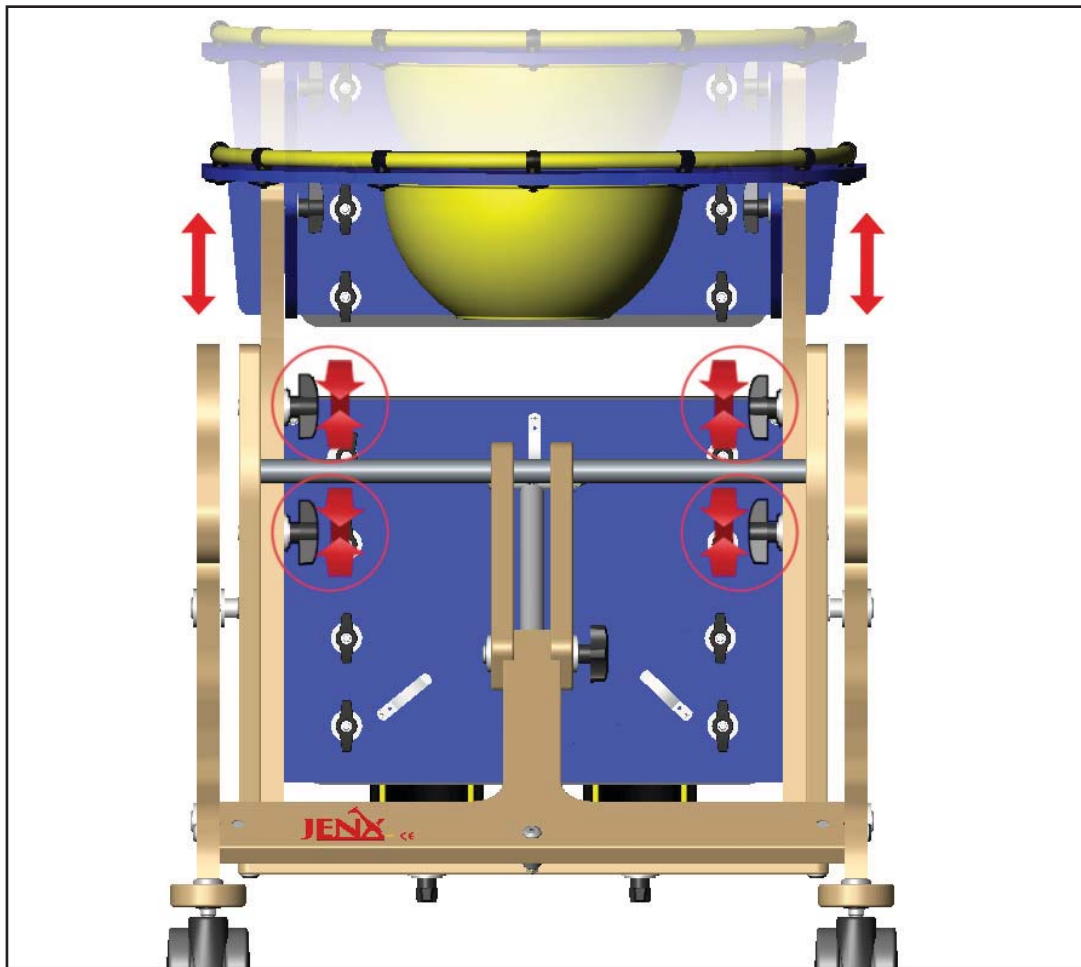


**Monkey is a Prescribed Medical Device  
To be used only with the guidance of a Therapist or Prescribing Practitioner  
Please read these instructions carefully before use**

**FOR ADVICE ON THE USE OF THIS PRODUCT, PLEASE CONTACT JENX LTD.  
TEL: +44 (0)114 2853376**

Ver 002 08

# Chest Pad Height



To alter the Chest Pad height, loosen the 4 Wing Knobs circled above and raise pad to the desired height before re-tightening.



**Never leave your client unattended whilst using this product**



**All belts and harnesses should be used at all times. For therapy purposes it may be necessary to deviate from this rule and any deviation should be fully documented as part of a Risk Assessment or Therapy Programme and all relevant staff and carers appropriately trained. Secure client with straps before adjusting product. Ensure finger's width between safety strap and client to prevent over tightening or client moving to inappropriate position. Adjust straps for each client and changes of clothing. Minimum Velcro overlap: 3 inches (7.5cm) on all straps. If strap is not long enough, DO NOT USE PRODUCT**

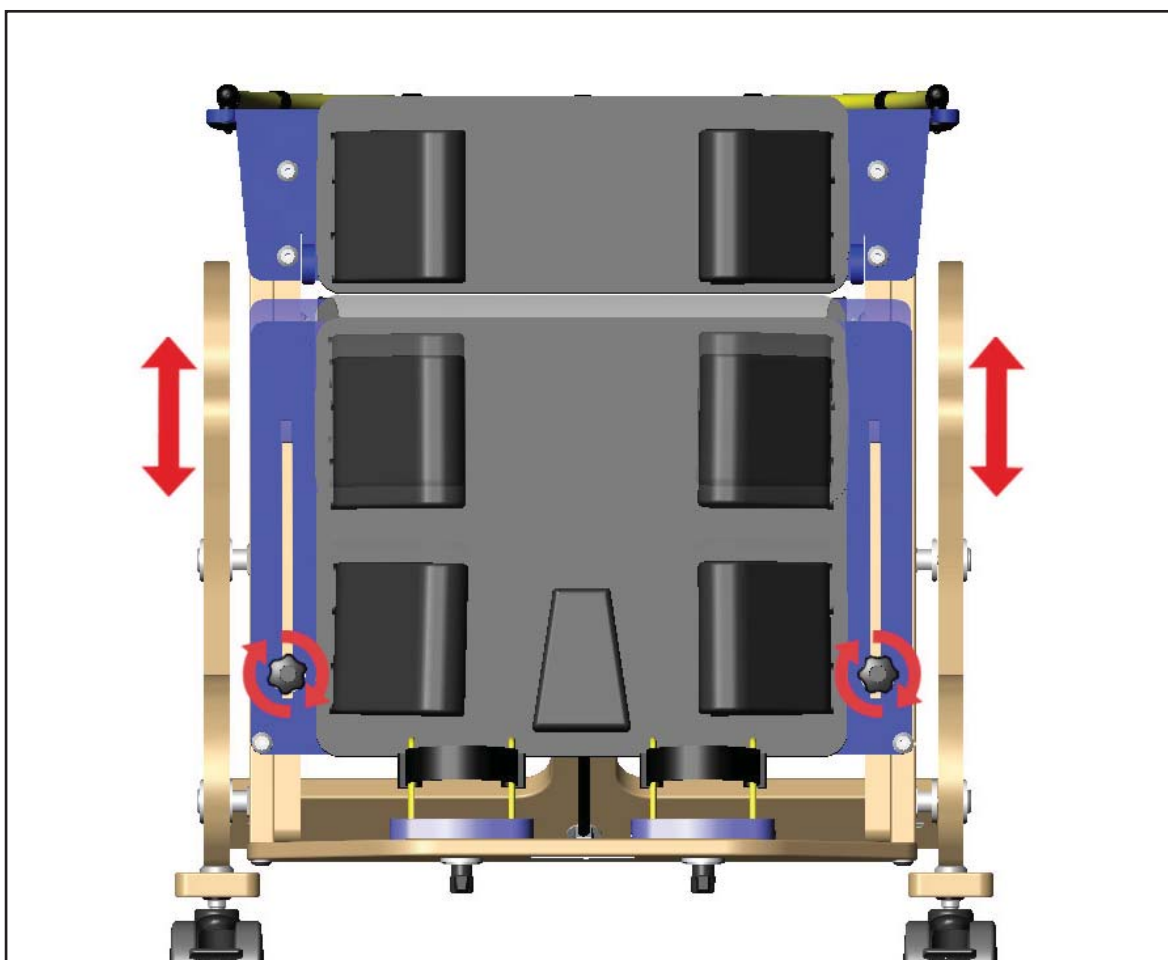


**Monkey is a Prescribed Medical Device  
To be used only with the guidance of a Therapist or Prescribing Practitioner  
Please read these instructions carefully before use**

**FOR ADVICE ON THE USE OF THIS PRODUCT, PLEASE CONTACT JENX LTD.  
TEL: +44 (0)114 2853376**

Ver 002 08

## Lower Support Pad Height



To alter the Lower Support Pad height, loosen the Scallop Wheels circled above and raise pad to the desired height before re-tightening.



Never leave your client unattended whilst using this product



All belts and harnesses should be used at all times. For therapy purposes it may be necessary to deviate from this rule and any deviation should be fully documented as part of a Risk Assessment or Therapy Programme and all relevant staff and carers appropriately trained. Secure client with straps before adjusting product. Ensure finger's width between safety strap and client to prevent over tightening or client moving to inappropriate position. Adjust straps for each client and changes of clothing. Minimum Velcro overlap: 3 inches (7.5cm) on all straps. If strap is not long enough, DO NOT USE PRODUCT

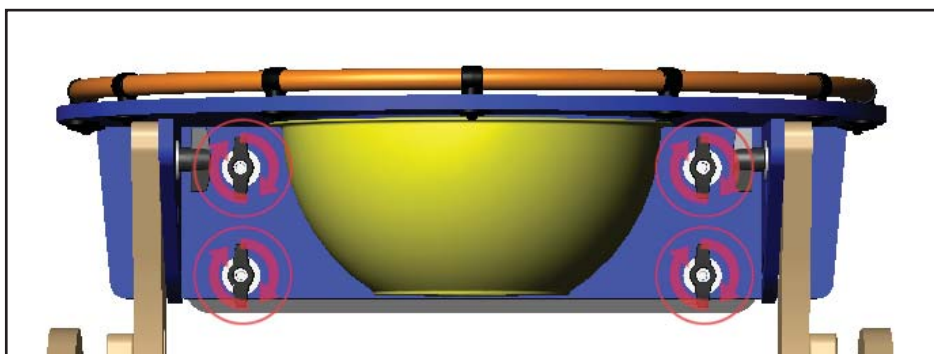


Monkey is a Prescribed Medical Device  
To be used only with the guidance of a Therapist or Prescribing Practitioner  
Please read these instructions carefully before use

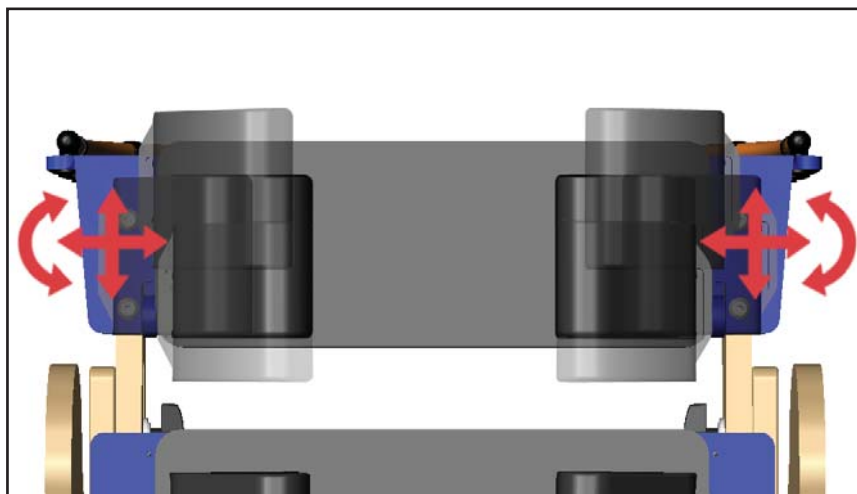
FOR ADVICE ON THE USE OF THIS PRODUCT, PLEASE CONTACT JENX LTD.  
TEL: +44 (0)114 2853376

Ver 002 08

## Upper Side Pads



1. To alter the Side Pads first loosen the Wing Knobs circled above.



2. Adjust the Side Pads to desired height, angle and width before re-tightening Wing Knobs circled in the previous step.



**Never leave your client unattended whilst using this product**



**All belts and harnesses should be used at all times. For therapy purposes it may be necessary to deviate from this rule and any deviation should be fully documented as part of a Risk Assessment or Therapy Programme and all relevant staff and carers appropriately trained. Secure client with straps before adjusting product. Ensure finger's width between safety strap and client to prevent over tightening or client moving to inappropriate position. Adjust straps for each client and changes of clothing. Minimum Velcro overlap: 3 inches (7.5cm) on all straps. If strap is not long enough, DO NOT USE PRODUCT**

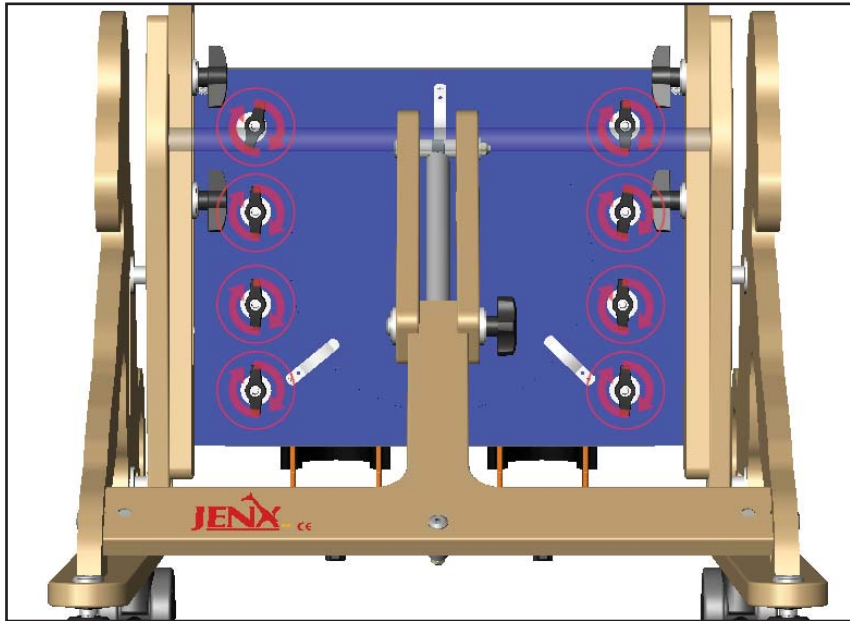


**Monkey is a Prescribed Medical Device  
To be used only with the guidance of a Therapist or Prescribing Practitioner  
Please read these instructions carefully before use**

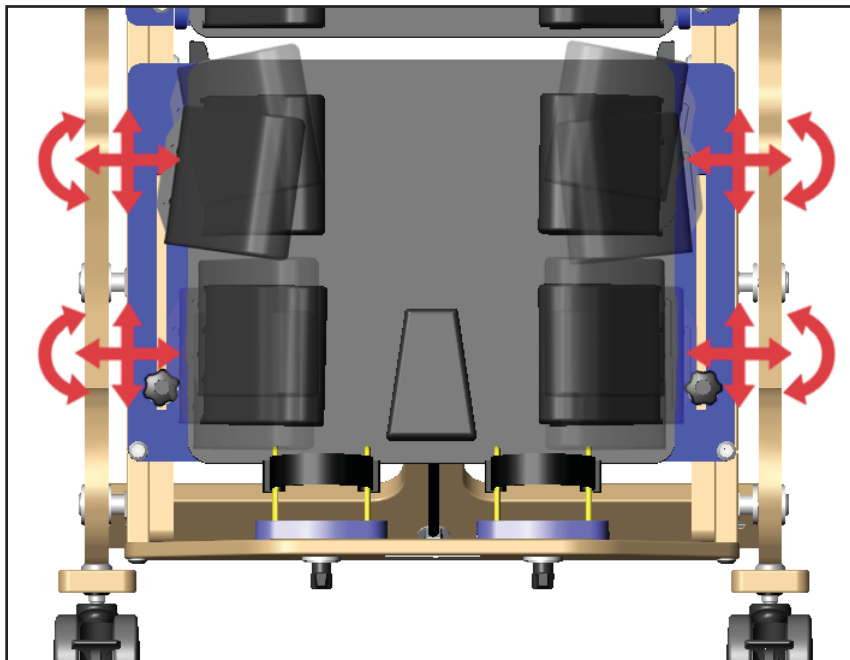
**FOR ADVICE ON THE USE OF THIS PRODUCT, PLEASE CONTACT JENX LTD.  
TEL: +44 (0)114 2853376**

Ver 002 08

## Lower Side Pads



1. To alter the Lower Side Pads first loosen the Wing Knobs circled above.



2. Adjust the pads to desired height, angle and width before re-tightening Wing Knobs circled in the previous step.



**Never leave your client unattended whilst using this product**



All belts and harnesses should be used at all times. For therapy purposes it may be necessary to deviate from this rule and any deviation should be fully documented as part of a Risk Assessment or Therapy Programme and all relevant staff and carers appropriately trained. Secure client with straps before adjusting product. Ensure finger's width between safety strap and client to prevent over tightening or client moving to inappropriate position. Adjust straps for each client and changes of clothing. Minimum Velcro overlap: 3 inches (7.5cm) on all straps. If strap is not long enough, **DO NOT USE PRODUCT**

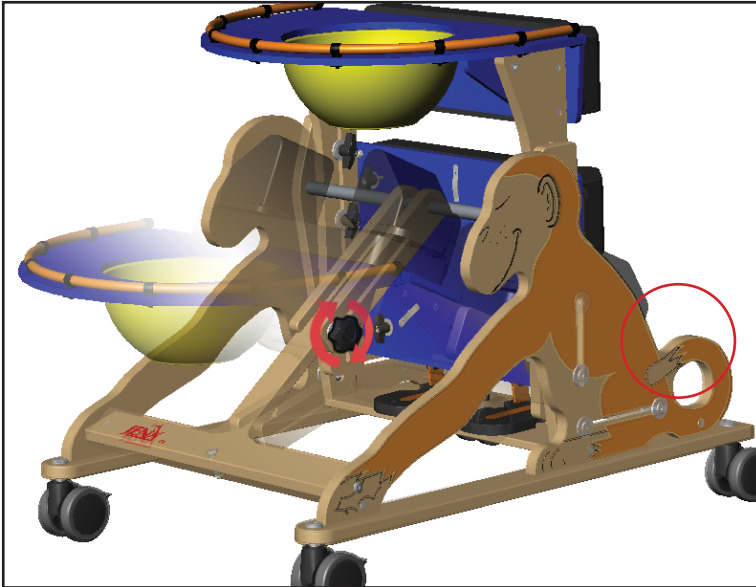


**Monkey is a Prescribed Medical Device**  
To be used only with the guidance of a Therapist or Prescribing Practitioner  
Please read these instructions carefully before use

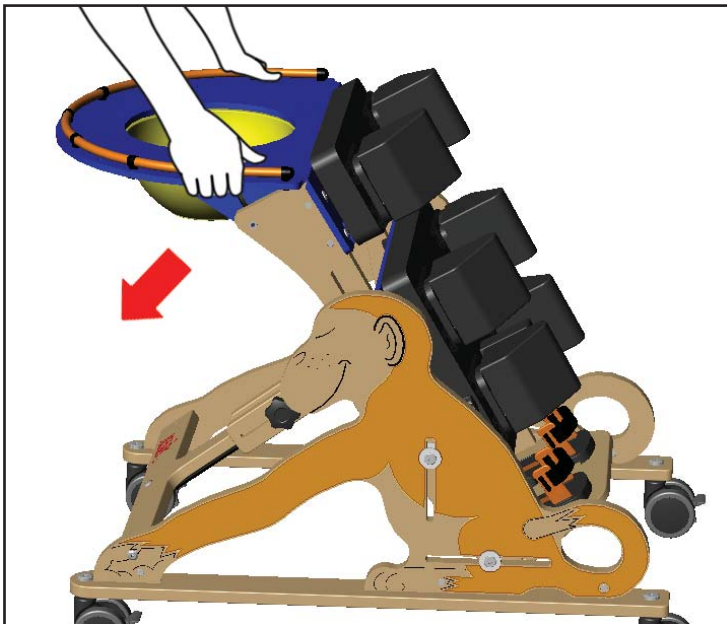
FOR ADVICE ON THE USE OF THIS PRODUCT, PLEASE CONTACT JENX LTD.  
TEL: +44 (0)114 2853376

Ver 002 08

# Angle Adjustment



1. Adjust the angle of the stander by, first, loosening the Scallop Wheel circled above.



2. Move the Monkey to the desired angle by pulling the rear end of the tray towards you, whilst pushing downwards simultaneously. Re-righten the Scallop Wheel whilst holding Monkey at your chosen angle.



Apply brakes before adjusting angle



Clear all items from the tray before adjustment.  
Do not use hot or cold drinks on the tray while in the angled position.



Never leave your client unattended whilst using this product



All belts and harnesses should be used at all times. For therapy purposes it may be necessary to deviate from this rule and any deviation should be fully documented as part of a Risk Assessment or Therapy Programme and all relevant staff and carers appropriately trained. Secure client with straps before adjusting product. Ensure finger's width between safety strap and client to prevent over tightening or client moving to inappropriate position. Adjust straps for each client and changes of clothing. Minimum Velcro overlap: 3 inches (7.5cm) on all straps. If strap is not long enough, DO NOT USE PRODUCT

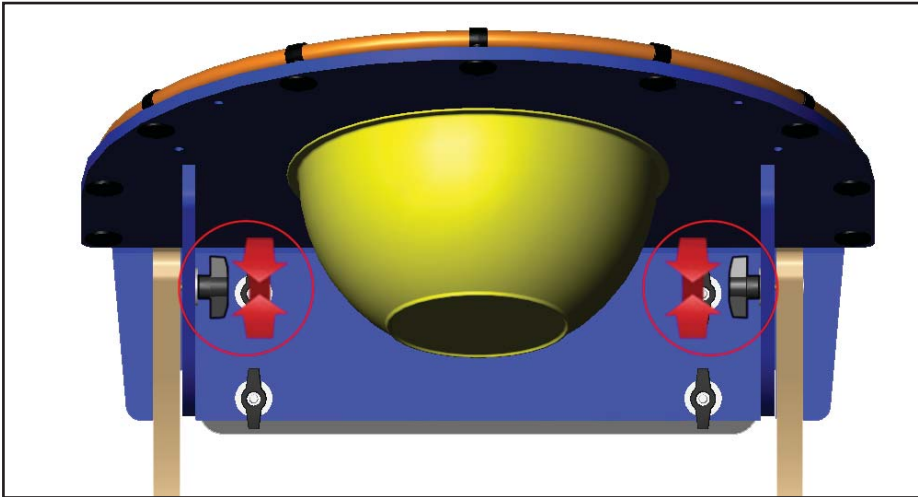


Monkey is a Prescribed Medical Device  
To be used only with the guidance of a Therapist or Prescribing Practitioner  
Please read these instructions carefully before use

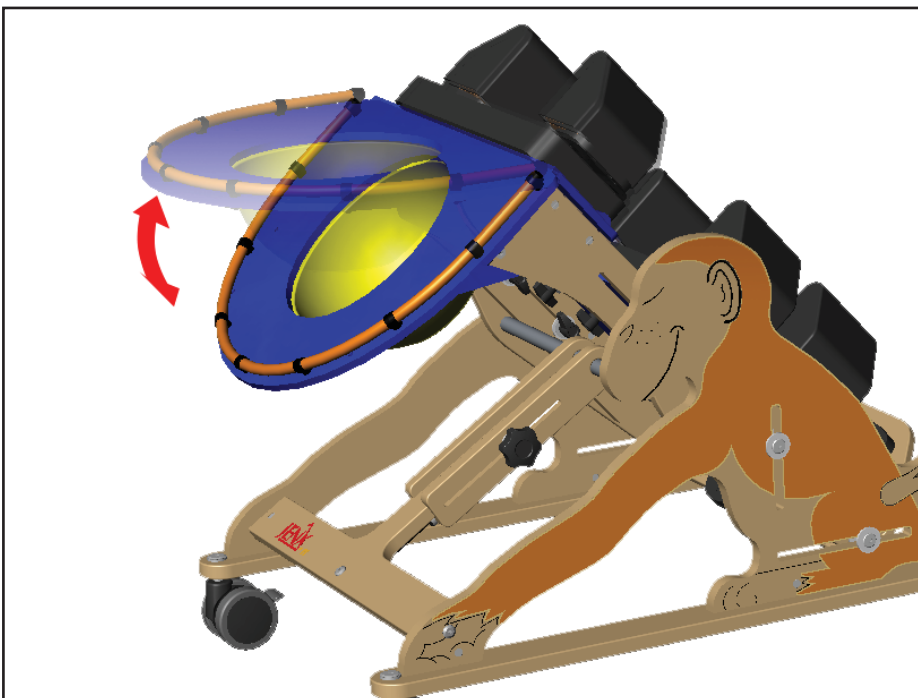
FOR ADVICE ON THE USE OF THIS PRODUCT, PLEASE CONTACT JENX LTD.  
TEL: +44 (0)114 2853376

Ver 002 08

# Tray Angle



1. To alter the tray angle first loosen the Wing Knobs circled above.



2. Alter the tray angle and re-tighten Wing Knobs to secure the angle.



Clear all items from the tray before adjustment.  
Do not use hot or cold drinks on the tray while in the angled position.



Never leave your client unattended whilst using this product



All belts and harnesses should be used at all times. For therapy purposes it may be necessary to deviate from this rule and any deviation should be fully documented as part of a Risk Assessment or Therapy Programme and all relevant staff and carers appropriately trained. Secure client with straps before adjusting product. Ensure finger's width between safety strap and client to prevent over tightening or client moving to inappropriate position. Adjust straps for each client and changes of clothing. Minimum Velcro overlap: 3 inches (7.5cm) on all straps. If strap is not long enough, DO NOT USE PRODUCT

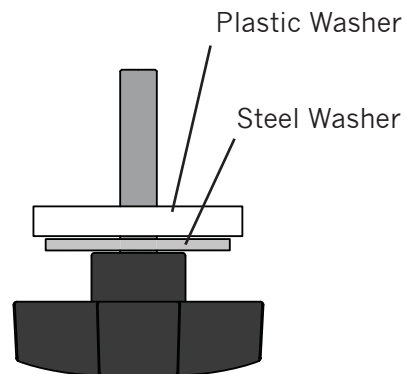
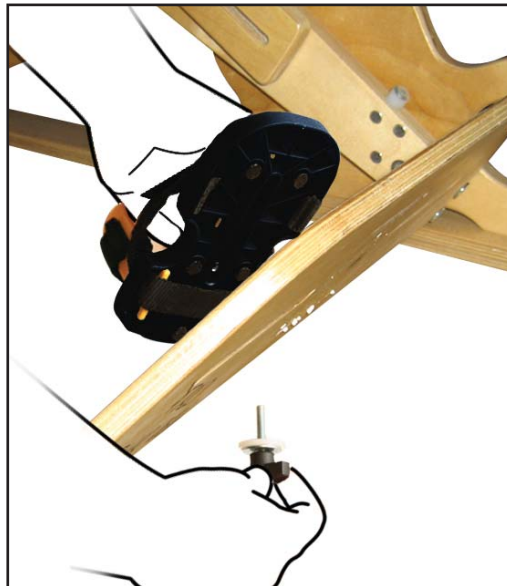


Monkey is a Prescribed Medical Device  
To be used only with the guidance of a Therapist or Prescribing Practitioner  
Please read these instructions carefully before use

FOR ADVICE ON THE USE OF THIS PRODUCT, PLEASE CONTACT JENX LTD.  
TEL: +44 (0)114 2853376

Ver 002 08

# Sandal Adjustments



Attach Sandals to the footplate as above, using the Wing Knob and washer configuration seen to the right.



Loosen Wing Knobs to adjust the angle, width and depth of Sandals. Tighten Wing Knobs after altering.



**Never leave your client unattended whilst using this product**



**All belts and harnesses should be used at all times. For therapy purposes it may be necessary to deviate from this rule and any deviation should be fully documented as part of a Risk Assessment or Therapy Programme and all relevant staff and carers appropriately trained. Secure client with straps before adjusting product. Ensure finger's width between safety strap and client to prevent over tightening or client moving to inappropriate position. Adjust straps for each client and changes of clothing. Minimum Velcro overlap: 3 inches (7.5cm) on all straps. If strap is not long enough, DO NOT USE PRODUCT**



**Monkey is a Prescribed Medical Device  
To be used only with the guidance of a Therapist or Prescribing Practitioner  
Please read these instructions carefully before use**

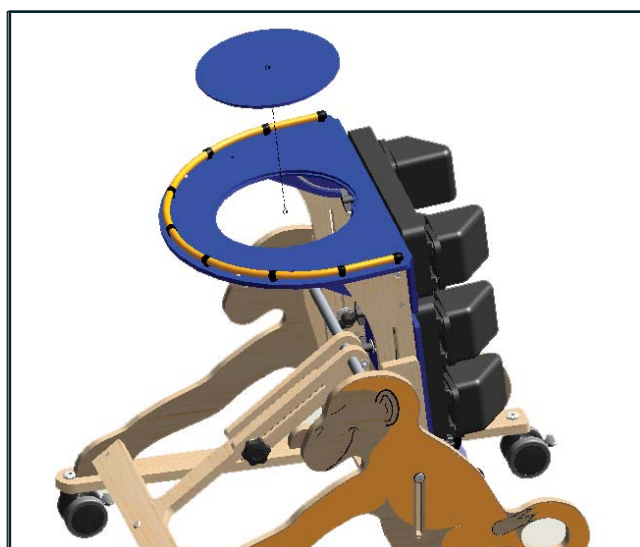
FOR ADVICE ON THE USE OF THIS PRODUCT, PLEASE CONTACT JENX LTD.  
TEL: +44 (0)114 2853376

Ver 002 08

## Fitting Tray Infill



Twist the retaining clips for the tray out of the way and remove the Tray Infill



Remove the bowl from the tray and fit the Tray Infill into the hole



**Never leave your client unattended whilst using this product**



**All belts and harnesses should be used at all times. For therapy purposes it may be necessary to deviate from this rule and any deviation should be fully documented as part of a Risk Assessment or Therapy Programme and all relevant staff and carers appropriately trained. Secure client with straps before adjusting product. Ensure finger's width between safety strap and client to prevent over tightening or client moving to inappropriate position. Adjust straps for each client and changes of clothing. Minimum Velcro overlap: 3 inches (7.5cm) on all straps. If strap is not long enough, DO NOT USE PRODUCT**



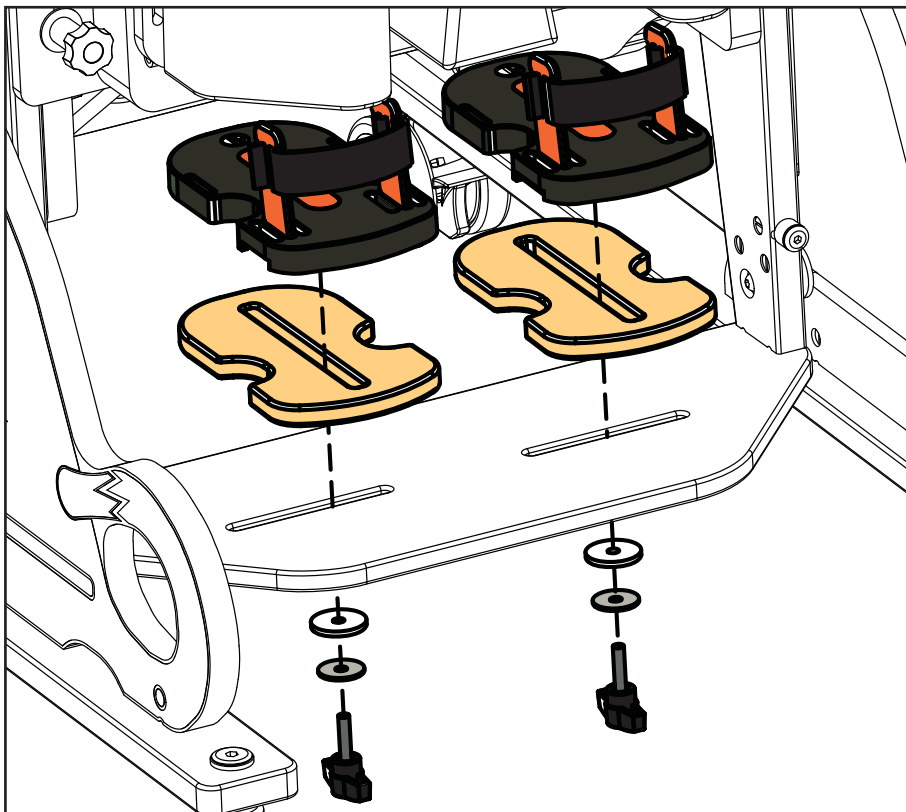
**Monkey is a Prescribed Medical Device  
To be used only with the guidance of a Therapist or Prescribing Practitioner  
Please read these instructions carefully before use**

**FOR ADVICE ON THE USE OF THIS PRODUCT, PLEASE CONTACT JENX LTD.  
TEL: +44 (0)114 2853376**

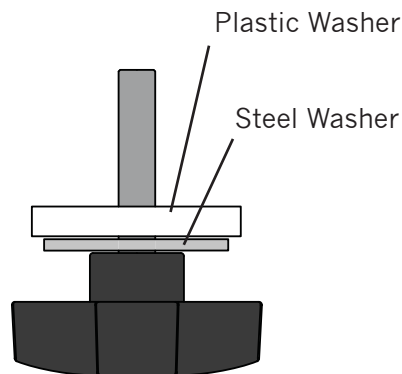
Ver 002 08

## Optional Accessories

### Sandal Raising Blocks



Attach Sandal Raising Blocks between the sandals and footplate as above, using the Wing Knob and washer configuration shown below.



**Never leave your client unattended whilst using this product**



**All belts and harnesses should be used at all times. For therapy purposes it may be necessary to deviate from this rule and any deviation should be fully documented as part of a Risk Assessment or Therapy Programme and all relevant staff and carers appropriately trained. Secure client with straps before adjusting product. Ensure finger's width between safety strap and client to prevent over tightening or client moving to inappropriate position. Adjust straps for each client and changes of clothing. Minimum Velcro overlap: 3 inches (7.5cm) on all straps. If strap is not long enough, DO NOT USE PRODUCT**

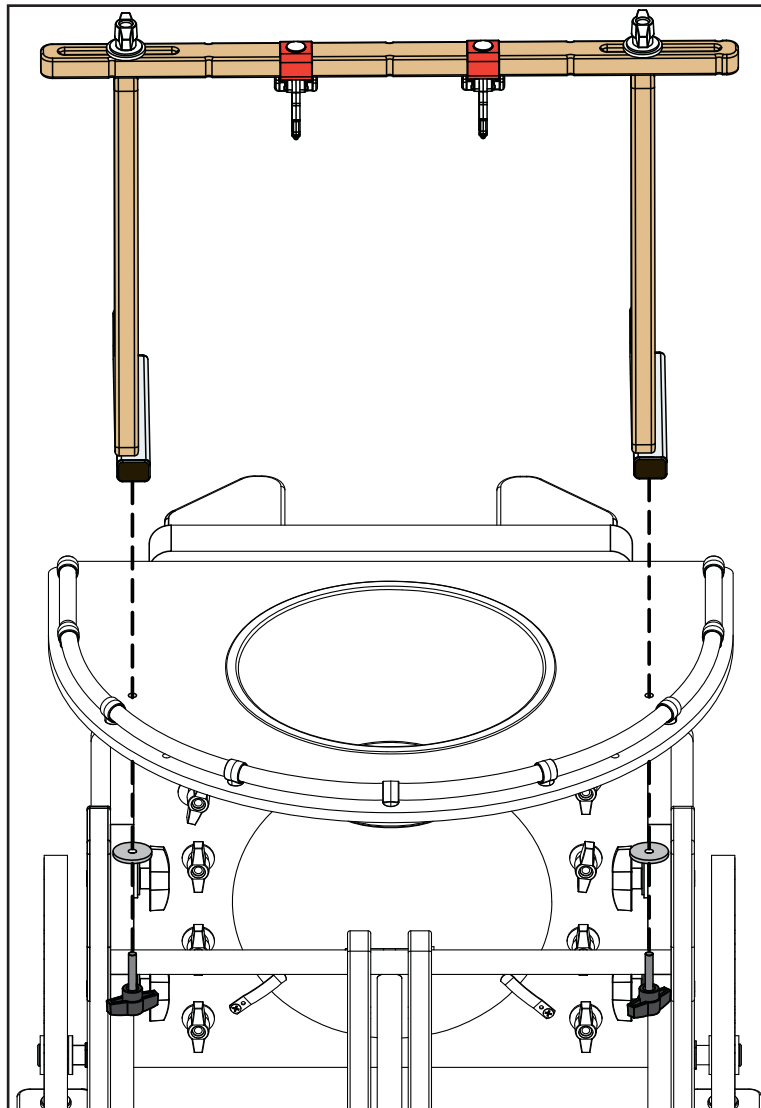


**Monkey is a Prescribed Medical Device  
To be used only with the guidance of a Therapist or Prescribing Practitioner  
Please read these instructions carefully before use**

**FOR ADVICE ON THE USE OF THIS PRODUCT, PLEASE CONTACT JENX LTD.  
TEL: +44 (0)114 2853376**

Ver 002 08

## Optional Accessories Activity Frame



Attach the Grab Bar onto the Tray using the provided Wing Knob and Washer, as shown above.



**Never leave your client unattended whilst using this product**



**All belts and harnesses should be used at all times. For therapy purposes it may be necessary to deviate from this rule and any deviation should be fully documented as part of a Risk Assessment or Therapy Programme and all relevant staff and carers appropriately trained. Secure client with straps before adjusting product. Ensure finger's width between safety strap and client to prevent over tightening or client moving to inappropriate position. Adjust straps for each client and changes of clothing. Minimum Velcro overlap: 3 inches (7.5cm) on all straps. If strap is not long enough, DO NOT USE PRODUCT**

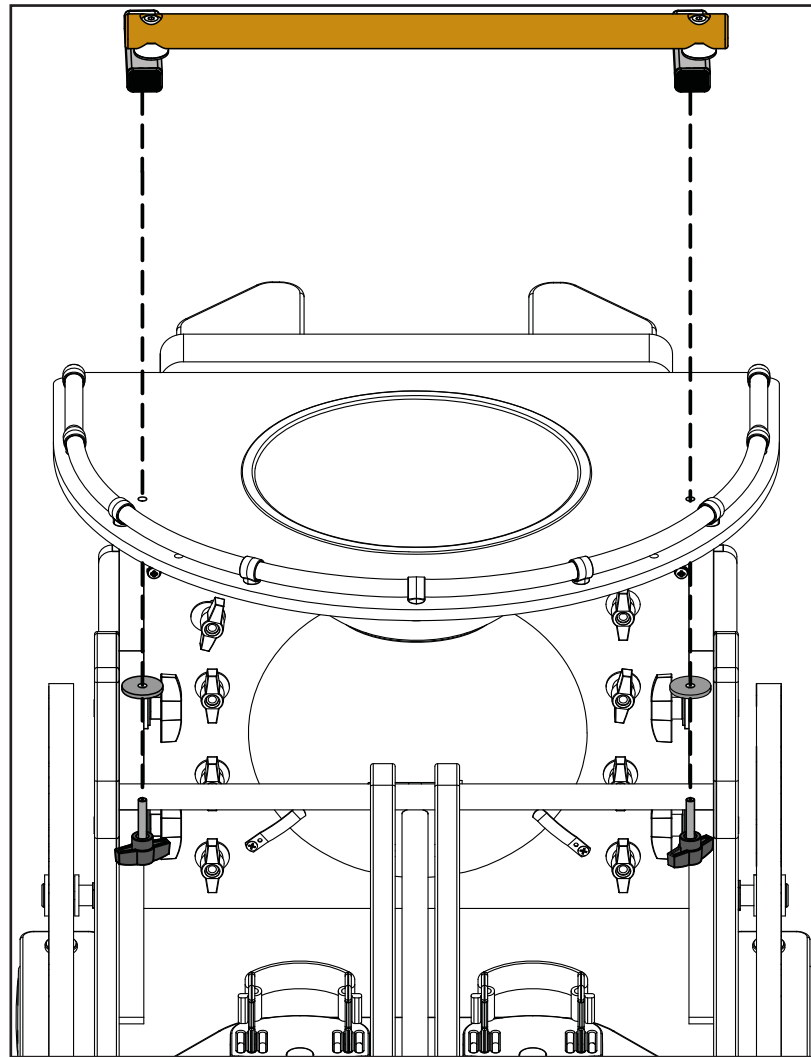


**Monkey is a Prescribed Medical Device  
To be used only with the guidance of a Therapist or Prescribing Practitioner  
Please read these instructions carefully before use**

**FOR ADVICE ON THE USE OF THIS PRODUCT, PLEASE CONTACT JENX LTD.  
TEL: +44 (0)114 2853376**

Ver 002 08

## Optional Accessories Grab Bar



Attach the Activity Frame onto the Tray using the provided Wing Knob and Washer, as shown above.



**Never leave your client unattended whilst using this product**



**All belts and harnesses should be used at all times. For therapy purposes it may be necessary to deviate from this rule and any deviation should be fully documented as part of a Risk Assessment or Therapy Programme and all relevant staff and carers appropriately trained. Secure client with straps before adjusting product. Ensure finger's width between safety strap and client to prevent over tightening or client moving to inappropriate position. Adjust straps for each client and changes of clothing. Minimum Velcro overlap: 3 inches (7.5cm) on all straps. If strap is not long enough, DO NOT USE PRODUCT**



**Monkey is a Prescribed Medical Device  
To be used only with the guidance of a Therapist or Prescribing Practitioner  
Please read these instructions carefully before use**

**FOR ADVICE ON THE USE OF THIS PRODUCT, PLEASE CONTACT JENX LTD.  
TEL: +44 (0)114 2853376**

Ver 002 08

## INSPECTING AND RE-ISSUING



Jenx Ltd. products are usually assessed for an individual client, therefore the following points must be adhered to prior to the re-issuing of any Jenx products.

1. Check with issuing Therapist that the product is standard and no special attachments or modifications have been made. If modifications have been made contact Jenx Ltd. for advice
2. Check that the product has been fully cleaned, taking into account the condition of the fabric and the foam inside
3. Check that all hand wheels and levers are in good condition and fitted securely
4. Check the product and any accessories fully for any sign of wear and tear or distortion
5. Check that all the functions of the product are working correctly e.g. tilt, height adjustment or back recline, etc.
6. Always ensure that the Instructions For Use stay with the product and are passed onto the new user. For new sets of instructions please contact our Sales Support Department on 0114 285 3376 or visit [www.jenx.com](http://www.jenx.com)
7. If the product is being delivered, always ensure that the product is packed securely



**Products must only be issued fully assembled, clean and in good working order.**

Follow the inspection guide on the opposite page  
Fill in the Inspection/Check Sheet to record all services and repairs to the product. Use extra pages if required, extra sheets are available from the Jenx Ltd. website:  
[www.jenx.com](http://www.jenx.com)



**Never leave your client unattended whilst using this product**



**All belts and harnesses should be used at all times. For therapy purposes it may be necessary to deviate from this rule and any deviation should be fully documented as part of a Risk Assessment or Therapy Programme and all relevant staff and carers appropriately trained. Secure client with straps before adjusting product. Ensure finger's width between safety strap and client to prevent over tightening or client moving to inappropriate position. Adjust straps for each client and changes of clothing. Minimum Velcro overlap: 3 inches (7.5cm) on all straps. If strap is not long enough, DO NOT USE PRODUCT**



**Monkey is a Prescribed Medical Device  
To be used only with the guidance of a Therapist or Prescribing Practitioner  
Please read these instructions carefully before use**

**FOR ADVICE ON THE USE OF THIS PRODUCT, PLEASE CONTACT JENX LTD.  
TEL: +44 (0)114 2853376**

Ver 002 08

## INSPECTING AND RE-ISSUING



Stores should follow the Medicines and Healthcare products Regulatory Agency (MHRA) guidelines for the recording, issuing, servicing or repairing of products in their charge. Check the MHRA website for the latest bulletins: [www.mhra.gov.uk](http://www.mhra.gov.uk)

- 1. Structure**  
Is the product structurally sound, no wobbles or loose parts?
- 2. Safety**  
Is the product safe and fit for use?
- 3. Straps**  
Are the straps in good condition and not showing any signs or wear?
- 4. Stability**  
Is the product stable on an even surface, no rocking?
- 5. Screws, Nuts and Bolts**  
Are there nuts and bolts missing or damaged?
- 6. Swivels, Castors**  
Are the castors in good order? Do swivels and brakes work?
- 7. Springs**  
Do all gas springs work and hold pressure and weight?  
Test by weighting the product with the maximum user weight and leaving for one hour.
- 8. Sandals**  
Are the sandals in good condition? Do straps and Velcro show no signs of wear?
- 9. Upholstery**  
Is the upholstery in good, clean condition with no rips, wear or gaping of the cushions?
- 10. Steel and Woodwork**  
Is the steel and wood work in good order? Check for bends, splinters or breaks.

If there is any doubt about the safety of a Jenx Ltd. product, do not hesitate to contact our Sales Support Department for advice.



**Never leave your client unattended whilst using this product**



**All belts and harnesses should be used at all times. For therapy purposes it may be necessary to deviate from this rule and any deviation should be fully documented as part of a Risk Assessment or Therapy Programme and all relevant staff and carers appropriately trained. Secure client with straps before adjusting product. Ensure finger's width between safety strap and client to prevent over tightening or client moving to inappropriate position. Adjust straps for each client and changes of clothing. Minimum Velcro overlap: 3 inches (7.5cm) on all straps. If strap is not long enough, DO NOT USE PRODUCT**



**Monkey is a Prescribed Medical Device  
To be used only with the guidance of a Therapist or Prescribing Practitioner  
Please read these instructions carefully before use**

**FOR ADVICE ON THE USE OF THIS PRODUCT, PLEASE CONTACT JENX LTD.  
TEL: +44 (0)114 2853376**

Ver 002 08













[www.jenx.com](http://www.jenx.com)

